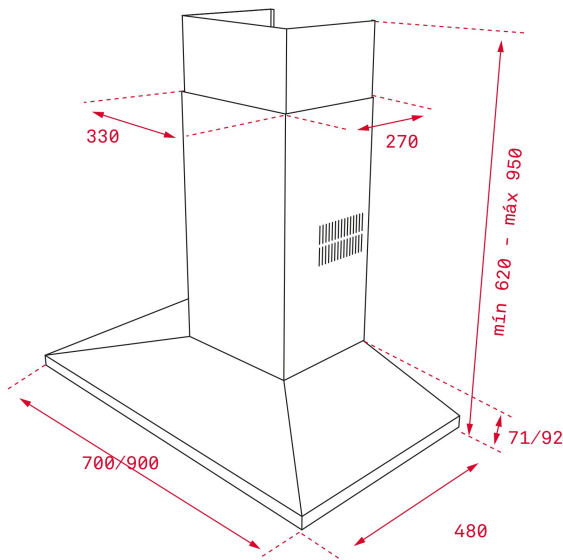




LED

Stop Delay
Timer

REFERENCE

REF: 40437010

EAN: 8421152145654

FEATURES

Decorative pyramidal hood
 Illuminated push buttons control
 EcoPower motor
 3 speeds + 1 intensive
 Free Outlet exhaust capacity (m3/h): 792
 Intensive speed exhaust capacity (m3/h): 760
 Max speed exhaust capacity (m3/h): 597
 Min speed exhaust capacity (m3/h): 303
 Intensive speed sound level (dBA): 73
 Max speed sound level (dBA): 68
 Min speed sound level (dBA): 54
 1 LED lamp
 3 Stainless Steel filters
 Stop delay timer
 Operating pilot light
 Anti-return valve included
 Outlet reduction included

DIMENSIONS

Product height (mm): 700-1100**Product width (mm):** 900**Product depth (mm):** 480**Product length (mm):****Net weight (Kg):** 14,37

TECHNICAL DETAILS

Energy Efficiency Class: A

Noise (LwA) Min Speed (dB): 53,7

Noise (LwA) Max Speed (dB): 68,2

Noise (LwA) Boost Speed (dB): 72,5

Ø Outlet (mm): 150

COLOURS



40437010

Stainless steel