



Ceramic base



Defrost By Time



Defrost By Weight



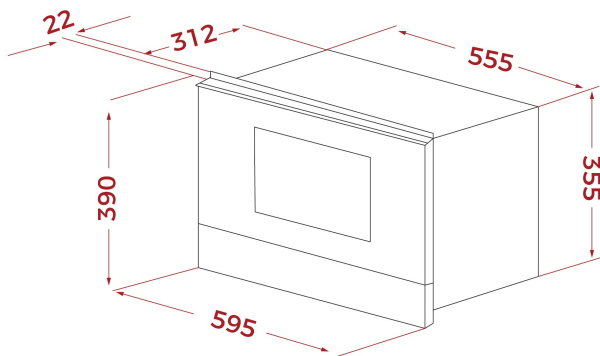
Direct Access Menu



Electronic Door Opening



22L



## REFERENCE

REF: 40584302

EAN: 8421152145517

## FEATURES

Built-in Microwave + Grill  
 Ceramic base with uniform heating  
 3 cooking functions  
 9 direct access menus  
 5 power levels, 2500 W  
 Grill power: 1200 W  
 Defrost by time and weight  
 Touch control display with knobs  
 Double glazed door with left opening  
 Electronic door opening  
 Children safety lock  
 Automatic disconnection when open door  
 Incandescent inner light  
 Dropdown grill  
 Quick start  
 Capacity (gross/net): 22 / 21.56 litres  
 Stainless steel cavity  
 Tangential ventilation

## DIMENSIONS

**Product height (mm):** 390

**Product width (mm):** 595

**Product depth (mm):** 334

**Product length (mm):**

**Net weight (Kg):** 23,2

## TECHNICAL DETAILS

MWO Power (W): 850

Frequency (Hz): 50

Maximum Nominal Power (W): 2700

Grill (W): 1200

## COLOURS



40584302

White glass with frame



40584300

Black glass with frame