

MultiSlider



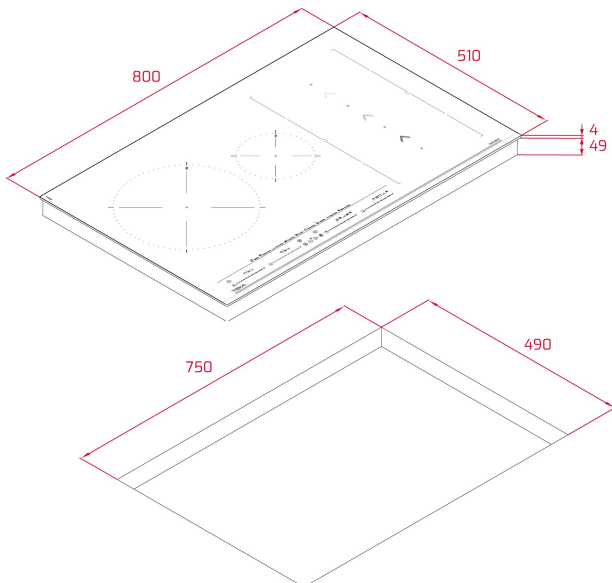
Autolock



Power



Power Plus

Easy
installation

REFERENCE

REF: 112500030

EAN: 8434778011869

FEATURES

Urban Colors Edition

MasterSense Series

Flex Induction hob

SlideCooking function

Direct functions with temperature sensors: Poaching, confit, grilling, pan frying, deep frying, simmering, melting and keep warm

Touch Control MultiSlider

4 cooking zones

1 zone Ø 280 mm

2 zones Ø 228 x 200 mm

1 zone Ø 185 mm

Ceramic glass surface

Auto-lock safety system

Cooking timer

Power plus

Child lock

Residual heat indicator

Power management

Easy installation kit

Maximum nominal power 7200 W

Optional: Grilling plate

Optional: Teppanyaki

DIMENSIONS

Product height (mm): 53**Product width (mm):** 800**Product depth (mm):** 510**Product length (mm):****Net weight (Kg):** 12,12

TECHNICAL DETAILS

Power rate (V): 220-240

Frequency (Hz): 50/60

Maximum Nominal Power (W): -

COLOURS



112500030

Black glass