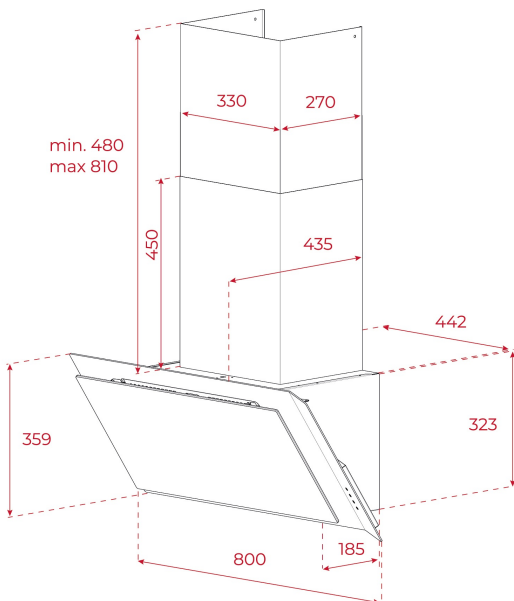




LED

Perimeter
extractionStop Delay
Timer

Fresh AIR



REFERENCE

REF: 112930056

EAN: 8434778022018

FEATURES

Infinity G1 special edition
 Designed in Italy by Italdesign Giugiaro
 Decorative vertical hood
 Exclusive matte black finishing
 Push buttons control
 FreshAir function
 Rim extraction
 Brushless EcoPower Motor
 3 speeds + 1 intensive
 Free Outlet exhaust capacity (m3/h): 786
 Max speed exhaust capacity (m3/h): 800
 2 LED lamps
 1 aluminium filters with 3 layers
 Stop delay timer
 Filter saturation indicator
 Anti-return valve included
 Outlet reduction included
 Optional recirculation kit with tube cover installation: CFH 15200 L3C
 Optional regenerative recirculation kit with tube cover installation: RFH 15200 L3C
 Optional recirculation kit without tube cover installation: CFH 15200 O2C
 Optional regenerative recirculation kit without tube cover installation: RFH 15200 O2C
 Optional Charcoal Filter: 113290015
 Optional Regenerative filter: R1RTK

DIMENSIONS

Product height (mm): 810-1140

Product width (mm): 800

Product depth (mm): 409

Product length (mm):

Net weight (Kg): 17,5

TECHNICAL DETAILS

Energy Efficiency Class: A+

Noise (LwA) Min Speed (dB): 47,4

Noise (LwA) Max Speed (dB): 60

Noise (LwA) Boost Speed (dB): 71,1

Ø Outlet (mm): 150

COLOURS



112930056

Black matt